



ITI LIMITED
A Govt. Of India Undertaking
Dooravaninagar Bangalore
560016 GSTIN.: 29AAACI4625C1ZV

Phone No 080-25651260/28503947
Fax 080-25651519/1724/0361
Email1: cmmx_bgp@itilt.co.in
Email2: rvijayalakshmi_bgp@itilt.co.in
Website: www.itilt-india.com

Due Date 22-06-2021 15:00

ENQUIRY FOR PR M2121E003

Date 04-06-2021 10:29

Respected Sir Kindly quote your best prices and deliveries for the below mentioned components.

Sino	Item and Description	Quantity	Unit
1	DTC 018343A M6 BUSH S0018 (ITI Drawing (Fasteners Family)) ITI DRAWING	76000.0000	Number of Units

NOTE :

1. PLEASE SEND YOUR QUOTE IN A SEALED COVER SUBSCRIBING OUR ENQUIRY NUMBER AND THE DUE DATE ON THE ENVELOPE SHOULD REACH US ON OR BEFORE DUE DATE BY 3.00 PM.
2. OFFER THROUGH EMAIL WILL NOT BE CONSIDERED.
3. TERMS AND CONDITIONS AS PER ENCLOSURE.
4. OUR PAYMENT IS 60 DAYS CREDIT.
5. YOUR QUOTED PRICE SHALL BE ALL INCLUSIVE FOR ITI LTD.BANGALORE

- Special Note:**
- * KINDLY PROVIDE UDYAM REGISTRATION CERTIFICATE IF MSME REGISTERED ENTERPRISE
 - * KINDLY SUBMIT QUOTE AS PER ATTACHED ITI DRAWING
 - * KINDLY MENTION RFQ # & DUE DATE OVER ENVELOPE WITHOUT WHICH QUOTATION WILL NOT BE CONSIDERED FOR TENDERING
 - * KINDLY ACKNOWLEDGE THE RECEIPT OF ENQUIRY BY RETURN MAIL
 - * KINDLY CONFIRM WHETHER QUOTATION SUBMITTED BY PERSONAL DEPOSIT OR THROUGH ANY COURIER SERVICES (PROVIDE DOCKET REFERENCE)

Deputy General Manager(MM)

Central Purchase,

ITI Limited,Dooravaninagar

Bangalore-560016

Thanking You.

Yours Faithfully,

For I.T.I Limited

CHIEF MATERIAL MANAGER

CODE
DTC18343 A

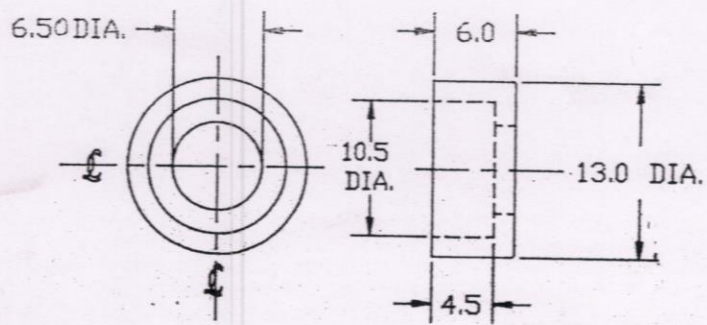
MATERIAL
BAKELITE(BK) AS PURCHASED

SPEC.
FIN.
-

SPEC.
SHEET II

ISSUE
1 22.4.94
APP.
S

This Document is the property of The Indian Telephone Industries Ltd. Bangalore, India and may not be copied, reprinted or disclosed to a third party without the written consent of the proprietors.



DOCUMENTATION CENTER

NON-CONTROLLED COPY

SIG *[Signature]*

DATE 13/05/2021

TOLERANCES TO RULING NO.16

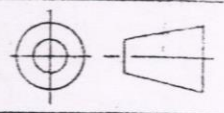
REF.- MOPC VSAJ
W.D.- NTRD-026(29)
U.D.- DE112138/A1

ALL DIMENSIONS IN M.M.

BUSH
TRANSMISSION EQUIPMENT

SCALE: NTS

DRN. <i>UAN</i>	ENG. <i>al.</i>
TRD. -	APP. <i>RI</i>
CHD. <i>Kak</i>	APP. <i>u</i>



DTC18343

I.T.I. LTD., BANGALORE A4

